

# QST SNK EF C TO

## QUEST Tap Range Quest Easyfit Mono Sink Mixer Chrome Tap Only



### Specification

Product Type:	Kitchen Taps
Main Construction Material:	Brass
Mount Type:	Deck Mounted
Handle Type:	Lever Handles
Connection Inlet:	1/2" BSP Female Flexible Tails
Connection Outlet:	M22 Flow Straightener
Number of Tap Holes:	1
Valve/Cartridge Type:	1/2" Ceramic Disc Valve
Plumbing System Requirements:	Suitable for all plumbing systems
Minimum Dynamic Pressure (bar):	0.4 bar
Maximum Dynamic Pressure (bar):	5.0 bar
Maximum Hot Water Temperature °C:	65°C
Maximum Static Pressure (bar):	10 bar
Flow Type:	Single Flow
Isolation Included:	Yes

### Features:

- Long life and easy to use 1/4 turn ceramic disc valves
- Product supplied without Easyfit base
- Minimum working pressure of 0.4 bar

### Product Certifications:



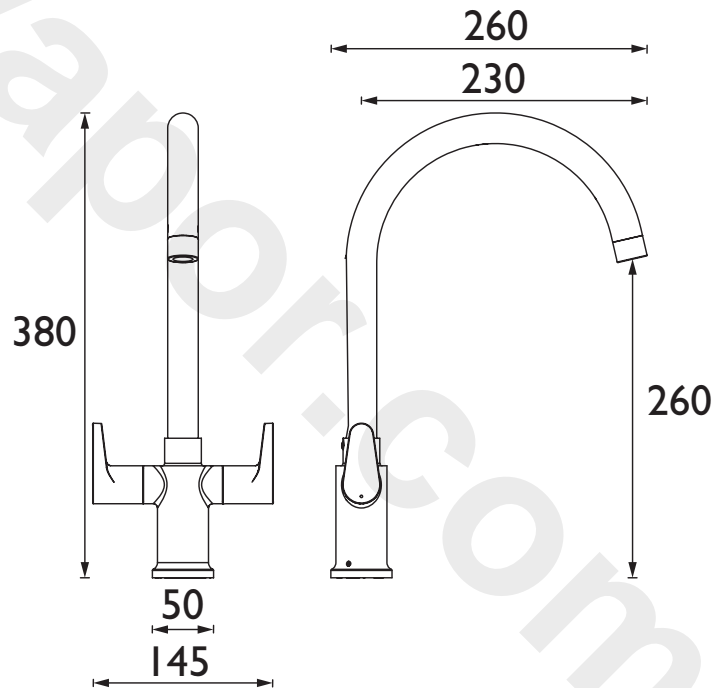
WRAS Certificate No: 2012901  
WRAS Expiry Date: 31/12/2025



For more products, visit our website:  
<http://www.bristan.com>



### Dimensions (measurements in mm)



### Flow Rates (l/min)

System Pressure (bar)	0.4	0.5	1	2	3	5
QST SNK EF C TO (mixed)	12.9	14.9	22.4	32.4	39.7	51.2

## TECHNICAL DATA SHEET



# BRISTAN

D4